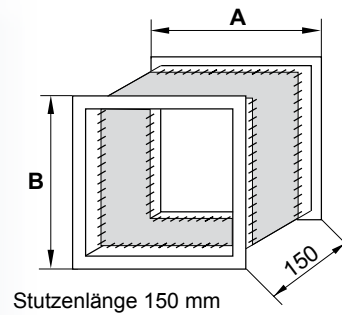


Amortisationsstutzen



AMORTISATIONSSTUTZEN - eckig -

A/B	€/Stck.	A/B	€/Stck.	A/B	€/Stck.	A/B	€/Stck.
300/300	13,67	600/1200	38,89	1200/300	30,50	1600/1200	57,17
300/400	17,56	600/1400	46,33	1200/400	33,67	1600/1400	78,19
300/600	21,50	600/1600	51,56	1200/600	38,89	1600/1600	82,06
300/800	25,89	600/1800	57,33	1200/800	44,11	1600/1800	86,78
300/1000	27,50	600/2000	66,78	1200/1000	48,39	1600/2000	92,44
300/1200	30,50			1200/1200	52,50		
300/1400	40,22	800/300	25,89	1200/1400	62,22	1800/300	48,89
300/1600	42,67	800/400	27,00	1200/1600	69,67	1800/400	52,56
300/1800	48,89	800/600	29,17	1200/1800	75,72	1800/600	57,33
300/2000	53,89	800/800	33,06	1200/2000	83,50	1800/800	64,89
		800/1000	38,83			1800/1000	71,56
400/300	17,56	800/1200	44,11	1400/300	40,22	1800/1200	75,72
400/400	19,50	800/1400	50,78	1400/400	42,17	1800/1400	81,89
400/600	25,28	800/1600	56,78	1400/600	46,33	1800/1600	86,78
400/800	27,00	800/1800	64,89	1400/800	50,78	1800/1800	91,00
400/1000	29,17	800/2000	73,22	1400/1000	55,72	1800/2000	99,56
400/1200	33,67			1400/1200	62,22		
400/1400	42,17	1000/300	27,50	1400/1400	74,50	2000/300	53,89
400/1600	47,11	1000/400	29,17	1400/1600	78,19	2000/400	59,22
400/1800	52,56	1000/600	33,06	1400/1800	81,89	2000/600	66,78
400/2000	59,22	1000/800	38,83	1400/2000	88,72	2000/800	73,22
		1000/1000	44,11			2000/1000	77,94
600/300	21,50	1000/1200	48,39	1600/300	42,67	2000/1200	83,50
600/400	25,28	1000/1400	55,72	1600/400	47,11	2000/1400	88,72
600/600	27,11	1000/1600	61,39	1600/600	51,56	2000/1600	92,44
600/800	29,17	1000/1800	71,56	1600/800	56,78	2000/1800	99,56
600/1000	33,06	1000/2000	77,94	1600/1000	61,39	2000/2000	103,67

Bestellungsmuster: **KAP-A/B**

V2A Ausführung in V2A: Faktor 4,5