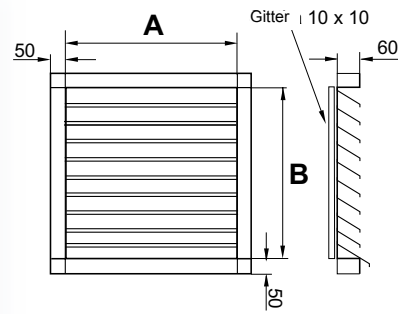


Wetterschutzgitter



WETTERSCHUTZGITTER - eckig -

A/B	€/Stck.	A/B	€/Stck.	A/B	€/Stck.	A/B	€/Stck.
300/300	46,20	600/1200	114,24	1200/300	78,96	1600/1200	231,84
300/400	48,72	600/1400	133,56	1200/400	86,52	1600/1400	266,28
300/600	55,44	600/1600	144,48	1200/600	105,84	1600/1600	291,48
300/800	70,56	600/1800	155,40	1200/800	134,40	1600/1800	325,92
300/1000	77,28	600/2000	175,56	1200/1000	153,72	1600/2000	351,12
300/1200	84,00			1200/1200	173,88		
300/1400	90,72	800/300	64,68	1200/1400	202,44	1800/300	110,04
300/1600	105,84	800/400	69,72	1200/1600	231,00	1800/400	120,96
300/1800	112,56	800/600	83,16	1200/1800	259,56	1800/600	148,68
300/2000	119,28	800/800	106,68	1200/2000	278,88	1800/800	186,48
		800/1000	120,12			1800/1000	223,44
400/300	49,56	800/1200	133,56	1400/300	95,76	1800/1200	252,00
400/400	52,92	800/1400	156,24	1400/400	104,16	1800/1400	288,96
400/600	61,32	800/1600	170,52	1400/600	126,00	1800/1600	317,52
400/800	78,12	800/1800	193,20	1400/800	167,16	1800/1800	345,24
400/1000	85,68	800/2000	206,64	1400/1000	189,84	1800/2000	382,20
400/1200	94,08			1400/1200	211,68		
400/1400	101,64	1000/300	71,40	1400/1400	243,60	2000/300	117,60
400/1600	119,28	1000/400	78,12	1400/1600	265,44	2000/400	129,36
400/1800	126,84	1000/600	94,92	1400/1800	288,12	2000/600	160,44
400/2000	135,24	1000/800	120,12	1400/2000	310,80	2000/800	200,76
		1000/1000	146,16			2000/1000	240,24
600/300	57,12	1000/1200	162,96	1600/300	102,48	2000/1200	271,32
600/400	61,32	1000/1400	179,76	1600/400	112,56	2000/1400	311,64
600/600	72,24	1000/1600	204,96	1600/600	137,76	2000/1600	351,96
600/800	92,40	1000/1800	221,76	1600/800	172,20	2000/1800	383,04
600/1000	103,32	1000/2000	247,80	1600/1000	206,64	2000/2000	414,12

Bestellungsmuster: **CS-A/B**

Al Ausführung in Al: Faktor 2

V2A Ausführung in V2A: Faktor 4,5

V4A Ausführung in V4A: Faktor 7