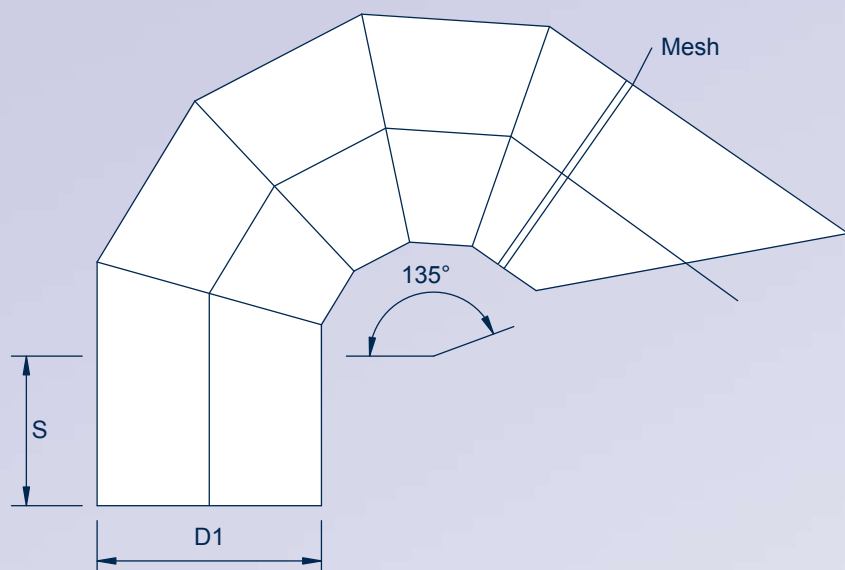


Typ KWO

Exhaust bends - circular -



EXHAUST BEND – circular –

D1	Connection length S	Number of segments	kg	m ²
80	200	5		
100	200	5	1,2	0,12
125	200	5	1,8	0,16
140	200	5	2,5	0,20
150	200	5	2,9	0,22
160	200	5	3,1	0,25
180	200	5	3,8	0,30
200	200	5	4,7	0,36
224	200	5	5,9	0,45
250	200	5	7,0	0,54
280	200	5	8,4	0,66
300	200	5	9,6	0,75
315	200	5	10,5	0,81
355	200	5	12,9	1,01
400	200	5	18,0	1,28
450	200	5	24,4	1,58
500	200	5	30,3	1,92
560	200	5	33,1	2,37
600	200	5	37,2	2,70
630	200	5	42,2	2,96
710	200	5	53,8	3,74
800	200	6	77,9	4,69
900	200	6	97,1	5,86
1000	200	6	116,9	7,16
1120	200	6	156,0	8,97
1250	200	6	192,8	10,46
1400	200	7	283,0	13,75
1600	200	7	339,6	17,80

Other dimensions after enquiry.

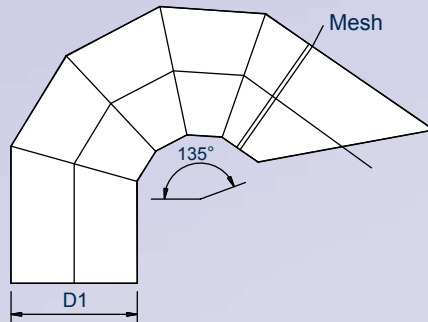
Please give us sheet metal type in the order.

We deliver:



Typ KWO

Exhaust bends - circular -



EXHAUST BEND – circular –		EXHAUST BEND WITH ROOF TRANSITION – circular –			
		without insulation		with insulation (30 mm)	
D1	€/piece	flat roof €/piece	slanting roof €/piece	flat roof €/piece	slanting roof €/piece
100	17,81	63,01	82,81	130,58	150,38
125	19,10	65,64	88,76	144,98	168,11
140	20,30	71,04	94,72	157,45	181,13
150	21,19	72,56	96,66	163,82	187,91
160	22,02	74,75	99,70	170,33	195,25
180	23,18	76,72	100,12	180,85	204,39
200	27,34	82,12	106,35	195,67	220,04
224	30,19	93,61	126,57	219,62	252,58
250	34,40	99,15	132,94	240,81	274,59
280	37,57	105,10	138,61	261,16	294,68
300	44,69	112,99	146,92	282,21	316,14
315	47,91	116,87	151,21	293,29	327,63
355	51,87	131,91	165,06	328,19	361,28
400	64,81	146,92	182,37	367,38	402,83
450	69,79	154,68	192,48	404,35	442,15
500	78,38	170,19	208,82	447,97	486,60
560	96,93	200,51	247,46	509,73	556,67
600	127,67	231,94	279,31	609,71	615,52
630	156,20	268,09	307,69	638,23	677,83
710	188,60	309,49	349,23	734,06	773,77
800	230,70	365,44	399,78	842,89	877,24
900	295,37	531,33	585,06	1 072,49	1 126,22
1000	409,61	745,84	854,01	1 257,87	1 366,05
1120	520,67	876,35	996,04	1 451,08	1 570,77
1250	676,73	1 060,94	1 197,27	1 703,49	1 839,81
1400	858,54	1 383,82	1 551,98	2 240,73	2 408,89
1500	952,01	1 537,36	1 727,58	2 474,08	2 664,30
1600	1 045,48	1 690,90	1 903,18	2 707,44	2 919,71

Ordering example: **KWO-D1** (please give us the execution method)

Price without flange.

Several roof transitions, roof socles are on pages 160 to 184.

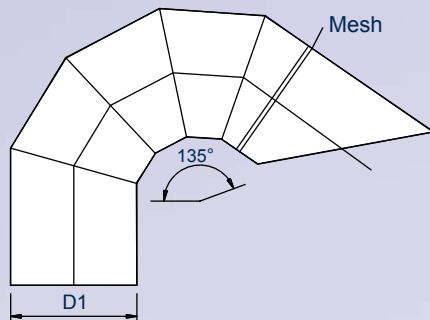
Other dimensions after enquiry.
Roof hoods are used only for extract air.

Important: please give us angle of roof inclination!

For D1 over 800 we recommend a connection with flat flange. Prices after enquiry.

Al Execution from Aluminium: factor 2.

Exhaust bends - circular -



EXHAUST BEND – circular –		EXHAUST BEND WITH ROOF TRANSITION– circular –			
		without insulation		with insulation (30 mm)	
D1	€/piece	flat roof €/piece	slanting roof €/piece	flat roof €/piece	slanting roof €/piece
100	85,16	194,72	259,62	290,54	355,45
125	90,70	211,47	284,00	325,00	397,53
140	91,39	218,20	294,92	346,68	423,40
150	95,55	226,87	306,43	361,10	440,66
160	99,70	235,25	317,50	375,66	457,91
180	105,93	285,12	391,14	451,34	557,35
200	113,55	301,50	412,82	486,15	597,47
224	127,95	338,93	461,17	540,62	662,86
250	145,12	369,61	499,40	597,49	727,28
280	162,15	397,08	532,33	647,77	783,02
300	183,06	439,81	587,91	725,64	873,74
315	214,08	502,61	669,51	806,30	973,19
355	231,89	557,97	740,76	900,92	1 083,72
400	272,52	646,70	858,57	1 049,75	1 261,63
450	305,20	708,22	936,64	1 163,93	1 392,34
500	369,17	818,73	1 072,53	1 323,07	1 576,87
560	457,24	966,84	1 252,76	1 547,56	1 833,48
600	556,95	1 115,74	1 424,96	1 739,15	2 048,37
630	640,86	1 194,98	1 510,13	1 831,25	2 146,39
710	797,89	1 438,48	1 801,08	2 179,47	2 542,08
800	923,21	1 804,99	2 312,51	2 787,45	3 294,97
900	1 140,06	2 213,69	2 803,30	3 315,54	3 905,15
1000	1 310,75	2 579,68	3 539,31	3 546,76	4 506,39
1120	1 666,13	3 107,71	4 193,84	4 256,42	5 342,55
1250	2 165,53	3 772,15	5 008,70	5 084,62	6 321,18
1400	2 747,34	4 778,96	6 331,82	6 369,52	7 922,38
1500	3 046,45	5 339,79	7 096,78	7 082,47	8 839,46
1600	3 345,55	5 900,61	7 861,74	7 795,42	9 756,56

Ordering example: **KWO-D1** (please give us the execution method)

Price without flange.

Several roof transitions of different types are on page 106 to 108.

Other dimensions after enquiry.

Roof hoods are used only for extract air.

Important: please give us angle of roof inclination!

For D1 over 800 we recommend a connection with flat flange. Prices after enquiry.



Execution from stainless steel V4A: factor 1,3.